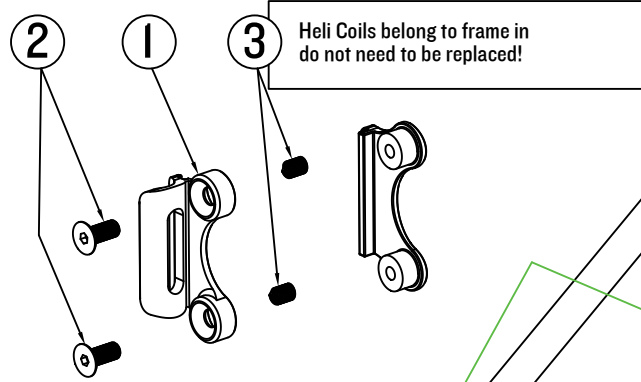


Loctite #243 on screws!
TORQUE 5Nm

TT Aero post
see assembly drawing S10-13

(optional:
TT Aero post with 50 mm offset
see S11-10)

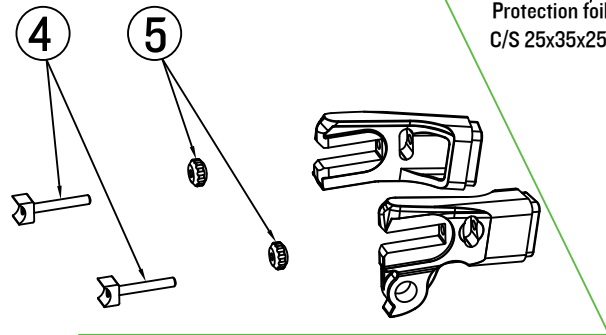
14



Loctite #243 on screws!
TORQUE 5Nm

TORQUE 4.5Nm

12
Protection foil for
C/S 25x35x251mm



Loctite #243 on screws!

Note: Part 4 is assymetrical!
Make it flush on inside and outside.



Loctite #243 on screws!

Use a short pcs of cable housing (indicated with two lines) for each shifter cable in the BB area.
Use only top cap of double hole satellite cable clip.

	Canyon#	Part Name	Qty.
1	A1021827	FD hanger E20-11	IPC
2		incl. screws	2PCS
3	A1016880	Heli Coil	2PCS
4	A1016881	stopper	2PCS
5	A1016882	adjustment nut	2PCS
6	A1022937	plastic clip-in cable holder E56-12	IPC
7	A1011921	cable holder (for two cable) E27-09	ISET
8	A1006942	water bottle screw	4PCS
9	A1011905	Seat Clamp E25-09	IPC
10		incl. screws	2PCS
11	A1016879	Heli Coil	2PCS
12	A1023426	Protection foil	IPC
13	A1034600	TANGE IS-22	ISET
14	A1031125	aero fork F11-13	IPC

SPEEDMAX AL | RIO-13

