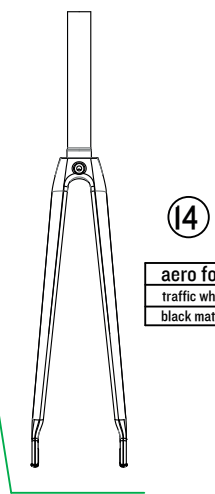


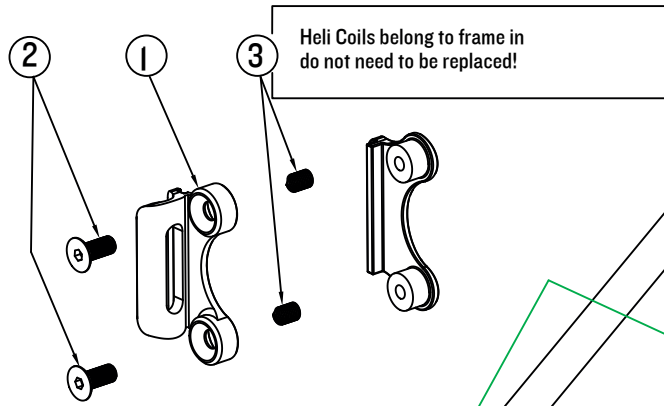
Loctite #243 on screws!
TORQUE 5Nm

TT Aero post
see assembly drawing S10-09

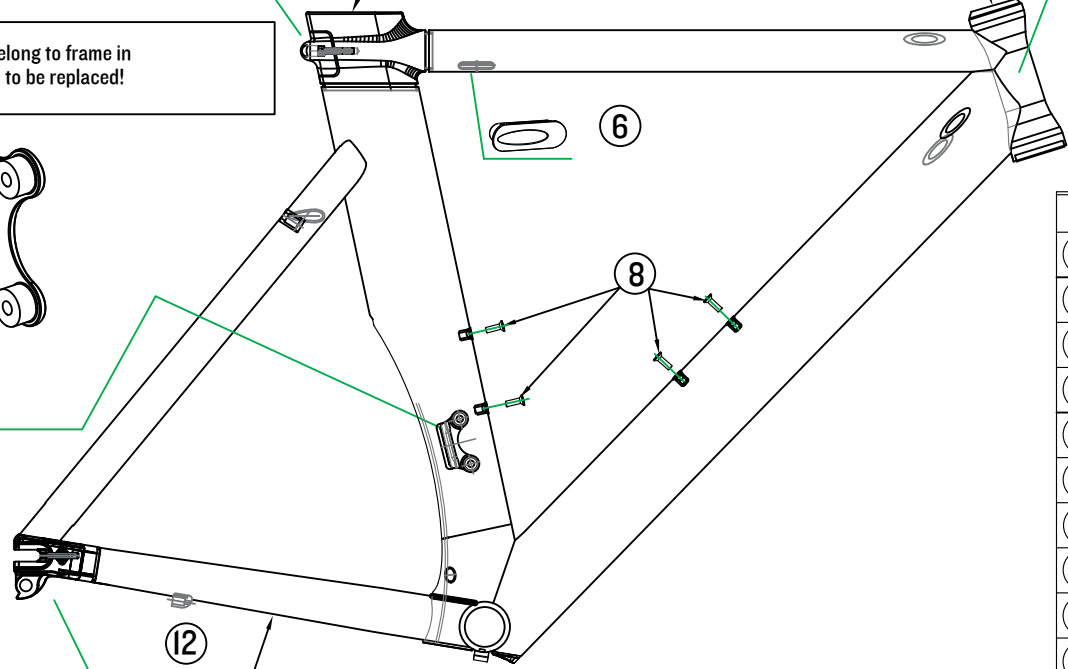
(optional:
TT Aero post with 50 mm offset
see S11-09)



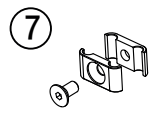
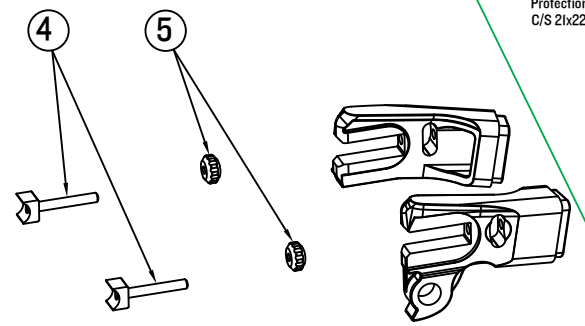
aero fork F11-09	
traffic white	A1005975
black matt	A1011910



Loctite #243 on screws!
TORQUE 5Nm



12
Protection foil for
C/S 21x223mm



Loctite #243 on screws!
Use a short pcs of cable housing
(indicated with two lines) for each
shifter
cable in the BB area.

Loctite #243 on screws!
Note: Part 4 is assymetrical!
Make it flush on inside and outside.

	Canyon#	Part Name	Qty.
1	A1005960	FD hanger	IPC
2		incl. screws E20-09	2PCS
3	A1016880	Heli Coil	2PCS
4	A1016881	stopper	2PCS
5	A1016882	adjustment nut	2PCS
6	A1013268	cable stopper E38-10	IPC
7	A1011921	cable holder (for two cable)	1SET
8	A1006942	water bottle screw	4PCS
9	A1011905	Seat Clamp	IPC
10		incl. screws E25-09	2PCS
11	A1016879	Heli Coil	2PCS
12	A1021467	Protection foil	IPC
13	A1006267	TANGE IS-22	1SET
14	A1014780	aero fork F11-10	IPC

SPEEDMAX AL | RIO-10

